

MICHAELANASTASSIADES

INSTALLATION INSTRUCTIONS



RELAY 1, RELAY 1.6, 2022

PRODUCT SPECIFICATIONS

Input voltage: 120V / 240V
Maximum wattage: Relay 1 20W
Relay 1.6 32W

Provided with 2500mm cord set and dimmer switch. Casambi option available.

Product weight: Relay 1 14kg
Relay 1.6 15kg

BEFORE INSTALLING

Please keep these instructions for future reference.

Please read instructions in full, noting illustrations, prior to installation and follow exactly.

The fitting is for use in a normal dry domestic indoor environment.

If you are in any doubt, consult a qualified electrician to install the fitting.

Ensure the circuit, to which the fitting is to be connected, has been installed and fused in accordance to national installation requirements.

Ensure that only the correct types of bulbs are fitted.

Modifying any part of the light will void the products warranty.

Michael Anastassiades accepts no liability for incorrect use of the mentioned object.

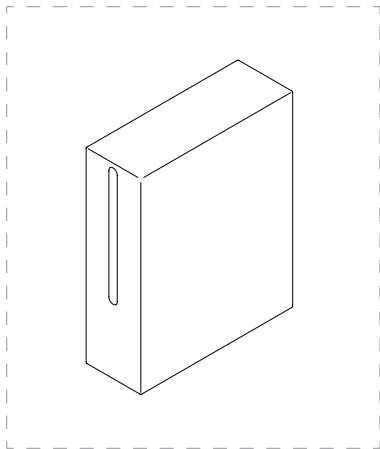
CLEANING INSTRUCTIONS

Before cleaning, lighting fixtures must be turned off and unplugged from mains electricity.

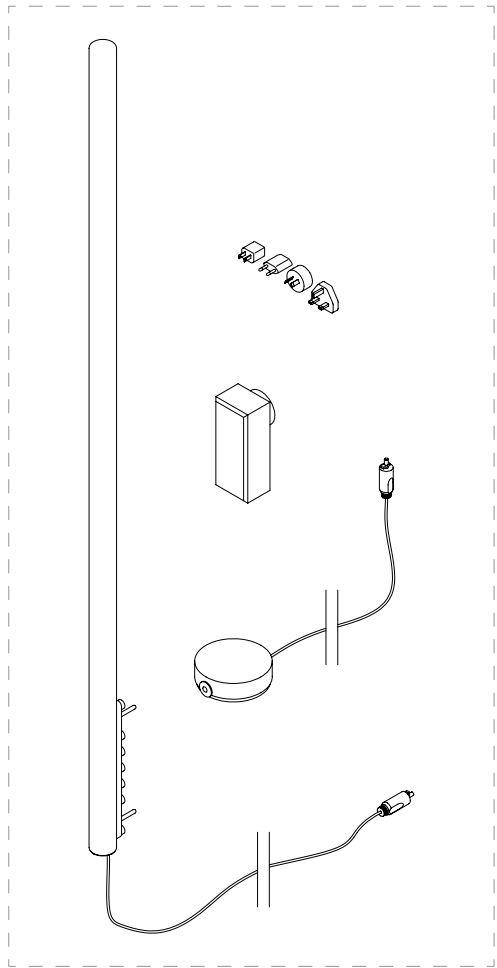
Marble: Use a lightly damp soft dust cloth and gently go over marks until clean. Dry it afterwards with a soft dust cloth. if the marble is in contact with water , please dry immediately to avoid stains.

Opaline Glass Tube: Remove the opaline glass from the product. Using a lightly damp cloth, clean only the outside of the tube and dry it with a dry soft dust cloth. Only put the glass bulb back on the product once it is fully dry.

Parts Supplied: Relay 1

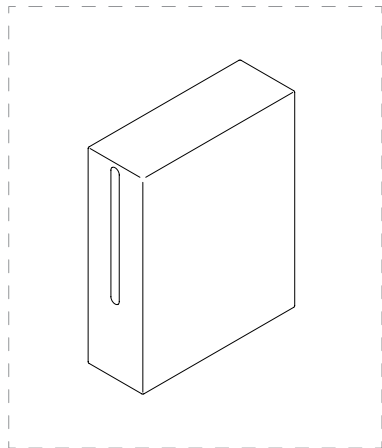


Box 1: Base

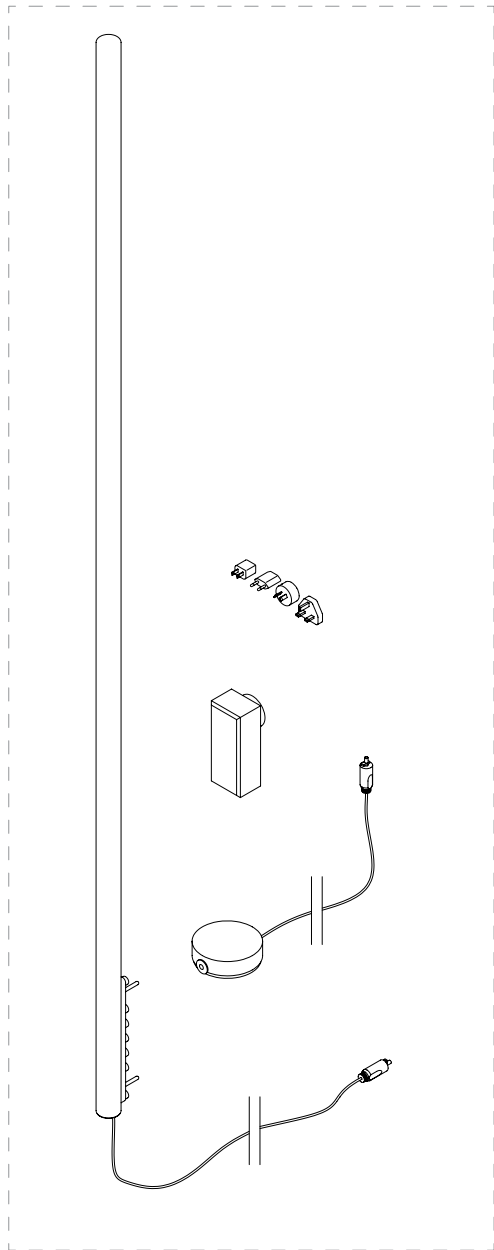


Box 2: Light Components

Parts Supplied: Relay 1.6



Box 1: Base



Box 2: Light Components

Fig. 1

Carefully screw the two pins into the connection panel on the bottom of the bulb.

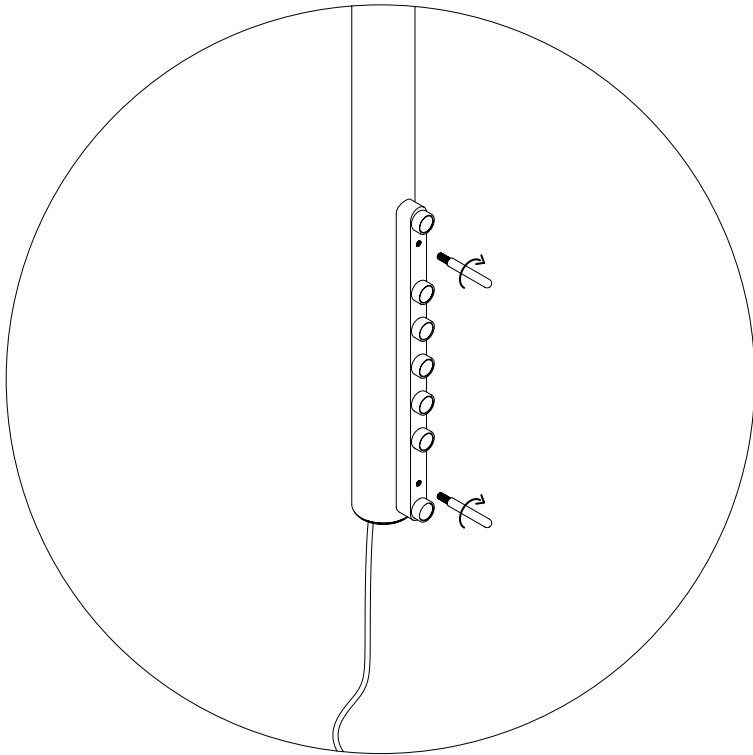
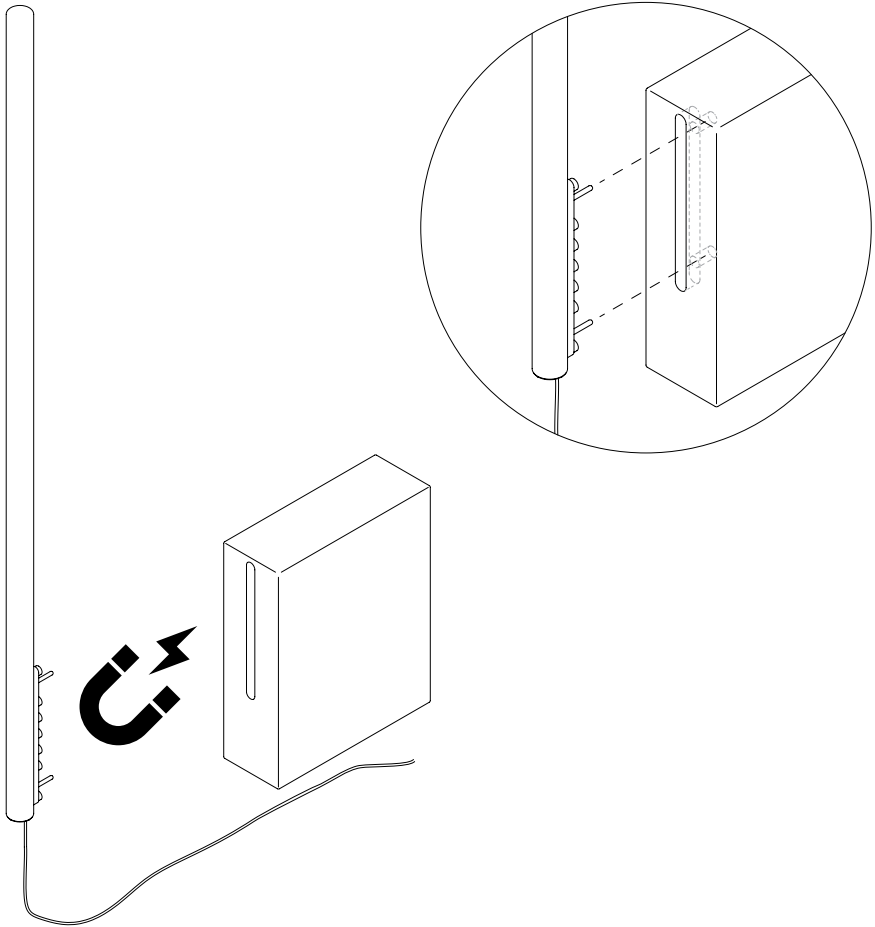


Fig. 2

Hold the bulb at the lower end and align the pins with the holes in the base. Slowly guide them into the openings. Once close enough, the magnets will snap the bulb fitting into place.



Warning: Strong magnets, please handle carefully.

Fig. 3

Connect the bulb connector to the dimmer switch by inserting and twisting the male connector into the female connector. Use the same push and twist method to connect dimmer switch and wall plug.

The driver is provided with a multi plug option, please choose the correct plug for your region and attach.

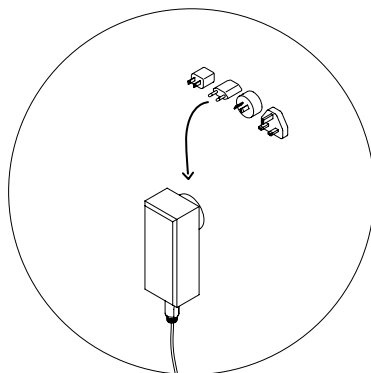
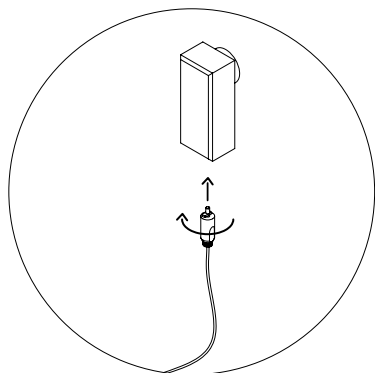
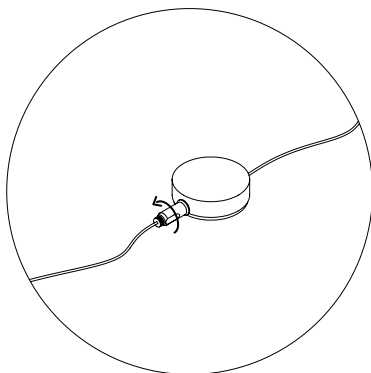
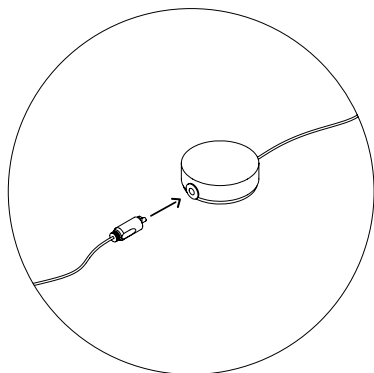
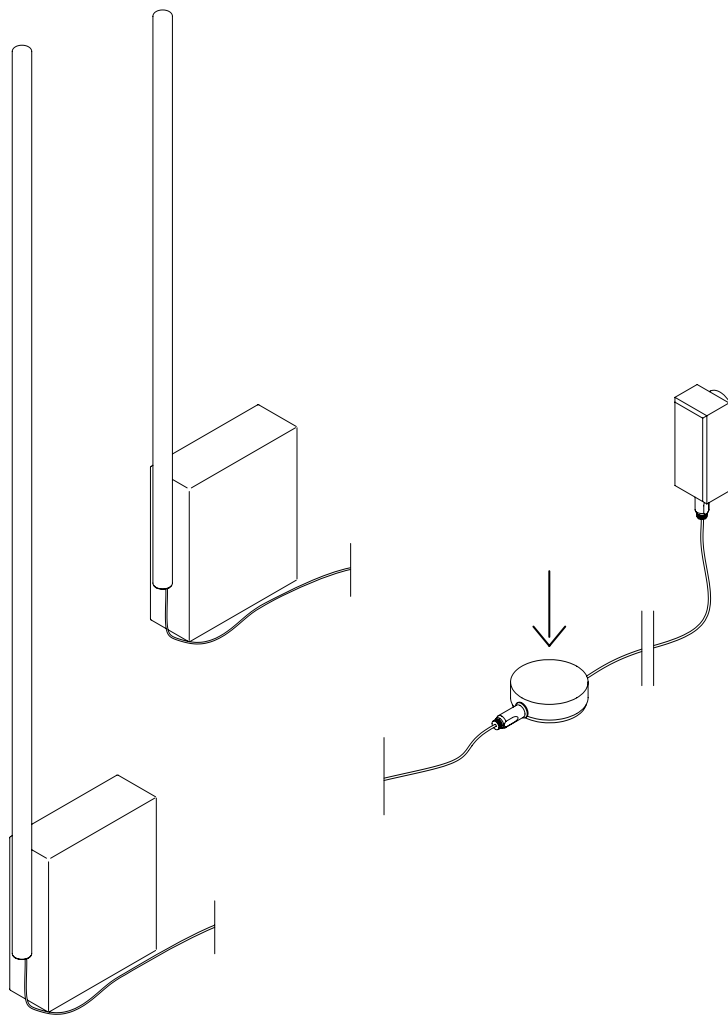


Fig. 4

Press dimmer switch once to turn the lamp on and off. To dim, turn the light on and hold switch down until the desired brightness is reached.
For the Casambi option, please download the Casambi app and follow the instructions.



Michael Anastassiades' design philosophy is to preserve the inherent qualities of given material. All of our products are handmade and come in natural finishes, exposed to the elements without any protective lacquers. We look at oxidisation as part of a process that adds to the patina of an object, increasing beauty with time. We try our best for all goods to leave our premises in pristine condition, but sometimes products may arrive with minor oxidisation marks.

Whilst every effort is made to ensure accurate representation of product colours, finishes and dimensions, Michael Anastassiades Ltd reserves the right to alter these details without notice, in compliance with its own production needs, technological changes or in response to the current market needs. Colour swatches are for reference only; Michael Anastassiades Ltd cannot guarantee exact colour match for any product finishes.

All designs are protected under copyright law. Michael Anastassiades holds the exclusive manufacturing and distribution rights worldwide. Copying will be prosecuted.

All light fixtures in this catalogue have CE marking compliance.

Michael Anastassiades Ltd.
50 Rochester Place, London NW1 9JX
T +44 (0)20 7928 7527
sales@michaelanastassiades.com
www.michaelanastassiades.com
© 2022 Michael Anastassiades Ltd. All rights reserved.

